



● ART. F LB B102 56 52

H = 1430 mm



● ART. F LB B073 54 52

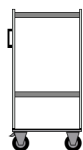
H = 1430 mm



● ART. F LB B103 52 52

H = 1430 mm

METAL COLOURS 



GALVANISED +
GREY RAL 7000
.52



SUPPLIED AS STANDARD WITH PRE-ASSEMBLED WHEELS AND DISASSEMBLED FRAME



With 2 fixed wheels and 2 swivel castors with brake
Ø 125 mm in standard rubber
WHEEL SECTION SEE PAGE 1220

THE ACCESSORIES AND THE MATERIALS STORED IN THE TROLLEYS SHOULD NOT PROTRUDE FROM THE BASE OF THE TROLLEY.

KEY



TROLLEY CAPACITY



ALL INDICATED LOAD CAPACITY VALUES ARE NET AND REFER TO EVENLY DISTRIBUTED WEIGHTS



SMART 101

ART.		Dim. mm	kg
F LB B101 52 52		1023x613x1430 H	300

3 shelves for mes. 2 - 2 shelves for mes. 3A2 - 1 shelf depth 420 mm
 18 containers PICKING BOX **mes. 2** art. FAX PB C002 A0 51 01
 8 containers PICKING BOX **mes. 3A2** art. FAX PB C3A2 B0 51 01
 3 containers PICKING BOX **mes. 4A2** art. FAX PB C4A2 B0 51 01
 3 containers PICKING BOX **mes. 4** art. FAX PB C004 B0 51 01

TROLLEY WITHOUT CONTAINERS ART. **F LB B101 02 52**





SMART 102

ART.		Dim. mm	
F LB B102 52 52		1023x613x1430 H	300

20 shelves for mes. 1
 180 containers PICKING BOX **mes. 1** art. FAX PB C001 A0 51 01
 Capacity 300 kg (150 kg PER SIDE)
 GALVANISED FINISH + GREY RAL 7000

TROLLEY WITHOUT CONTAINERS ART. **F LB B102 02 52**

ART.		Dim. mm	
F LB B102 53 52		1023x613x1430 H	300

10 shelves for mes. 1 – 8 shelves for mes. 2
 90 containers PICKING BOX **mes. 1** art. FAX PB C001 A0 51 01
 24 containers PICKING BOX **mes. 2** art. FAX PB C002 A0 51 01
 Capacity 300 kg (150 kg PER SIDE)
 GALVANISED FINISH + GREY RAL 7000

TROLLEY WITHOUT CONTAINERS ART. **F LB B102 03 52**





SMART 102

ART.	Dim. mm	kg
F LB B102 54 52	1023x613x1430 H	300

14 shelves for mes. 2
84 containers PICKING BOX mes. 2 art. FAX PB C002 A0 51 01
Capacity 300 kg (150 kg PER SIDE)
GALVANISED FINISH + GREY RAL 7000

TROLLEY WITHOUT CONTAINERS ART. **F LB B102 04 52**

ART.	Dim. mm	kg
F LB B102 59 52	1023x613x1430 H	300

6 shelves depth 220 mm
12 containers **EURO BOX** art. FAX EB 3212 A0 51 01
12 containers **EURO BOX** art. FAX EB 3217 A0 51 01
4 perforated panels TOOLS NOT INCLUDED
2 sets of 54 hooks (each) art. F BL 9510 00 99 (25 ART. CMV10037, 1 ART. CMV10016, 9 ART. CMV10022, 6 ART. CMV10021, 1 ART. CMV 10020, 4 ART. CMV 10007, 1 ART. CMV 10001)
Capacity 300 kg (150 kg PER SIDE)
GALVANISED FINISH + GREY RAL 7000

TROLLEY WITHOUT CONTAINERS AND HOOKS ART. **F LB B102 09 52**



CONTAINERS

SERIES PICKING BOX

SEE PAGE B66



SMART 102

ART.		Dim. mm	kg
F LB B102 57 52		1023x613x1430 H	300

3 shelves for mes. 1 - 4 shelves for mes. 2 - 3 shelves for mes. 3A2
 27 containers PICKING BOX **mes. 1** art. FAX PB C001 A0 51 01
 24 containers PICKING BOX **mes. 2** art. FAX PB C002 A0 51 01
 12 containers PICKING BOX **mes. 3A2** art. FAX PB C3A2 B0 51 01
 1 roller shutter cabinet TOOLS NOT INCLUDED
 1 set of 54 hooks art. F BL 9510 00 99 (25 ART. CMV10037, 1 ART. CMV10016,
 9 ART. CMV10022, 6 ART. CMV10021, 1 ART. CMV 10020, 4 ART. CMV 10007,
 1 ART. CMV 10001)
 Capacity 300 kg (150 kg PER SIDE)
 GALVANISED FINISH + GREY RAL 7000

TROLLEY WITHOUT CONTAINERS AND HOOKS ART. **F LB B102 07 52**

ART.		Dim. mm	kg
● F LB B102 56 52		1023x613x1430 H	300

5 shelves for mes. 1 - 4 shelves for mes. 2 - 6 shelves for mes. 3A2
 45 containers PICKING BOX **mes. 1** art. FAX PB C001 A0 51 01
 24 containers PICKING BOX **mes. 2** art. FAX PB C002 A0 51 01
 28 containers PICKING BOX **mes. 3A2** art. FAX PB C3A2 B0 51 01
 Capacity 300 kg (150 kg PER SIDE)
 GALVANISED FINISH + GREY RAL 7000

TROLLEY WITHOUT CONTAINERS ART. **F LB B102 06 52**

CONTAINERS SERIES EURO BOX

SEE PAGE B10





SMART 102

ART.		Dim. mm	kg
F LB B102 58 52		1023x613x1430 H	300

5 shelves for mes. 1 - 4 shelves for mes. 2 - 5 shelves depth 320 mm
 45 containers PICKING BOX **mes. 1** art. FAX PB C001 A0 51 01
 24 containers PICKING BOX **mes. 2** art. FAX PB C002 A0 51 01
 6 containers **EURO BOX** art. FAX EB 4312 A0 51 01
 4 containers **EURO BOX** art. FAX EB 4317 A0 51 01
 Capacity 300 kg (150 kg PER SIDE)
 GALVANISED FINISH + GREY RAL 7000

TROLLEY WITHOUT CONTAINERS ART. **F LB B102 08 52**

ART.		Dim. mm	kg
F LB B102 62 52		1023x613x1430 H	300

3 shelves depth 420 mm
 9 containers **EURO BOX** art. FAX EB 4317 A0 51 01
 2 containers **EURO BOX** art. FAX EB 6417 A0 51 01
 Capacity 300 kg (150 kg PER SIDE)
 GALVANISED FINISH + GREY RAL 7000

TROLLEY WITHOUT CONTAINERS ART. **F LB B102 12 52**





SMART 103

ART.		Dim. mm	
F LB B103 52 52		1023x613x1430 H	300

3 shelves depth 600 mm
 4 containers **EURO BOX** art. FAX EB 6417 A0 51 01
 2 containers **EURO BOX** art. FAX EB 6422 A0 51 01
 1 container **EURO BOX** art. FAX EB 8622 C0 51 01
 Capacity 300 kg (150 kg PER SIDE)

TROLLEY WITHOUT CONTAINERS ART. **F LB B103 02 52**

SMART 073

ART.		Dim. mm	
F LB B073 55 52		725x613x1430 H	300

3 shelves depth 420 mm
 4 containers **EURO BOX** art. FAX EB 4317 A0 51 01
 1 container **EURO BOX** art. FAX EB 6417 A0 51 01
 1 container **EURO BOX** art. FAX EB 6422 A0 51 01
 Capacity 300 kg (150 kg PER SIDE)

TROLLEY WITHOUT CONTAINERS ART. **F LB B073 05 52**





SMART 073

ART.		Dim. mm	kg
F LB B073 53 52		725x613x1430 H	300

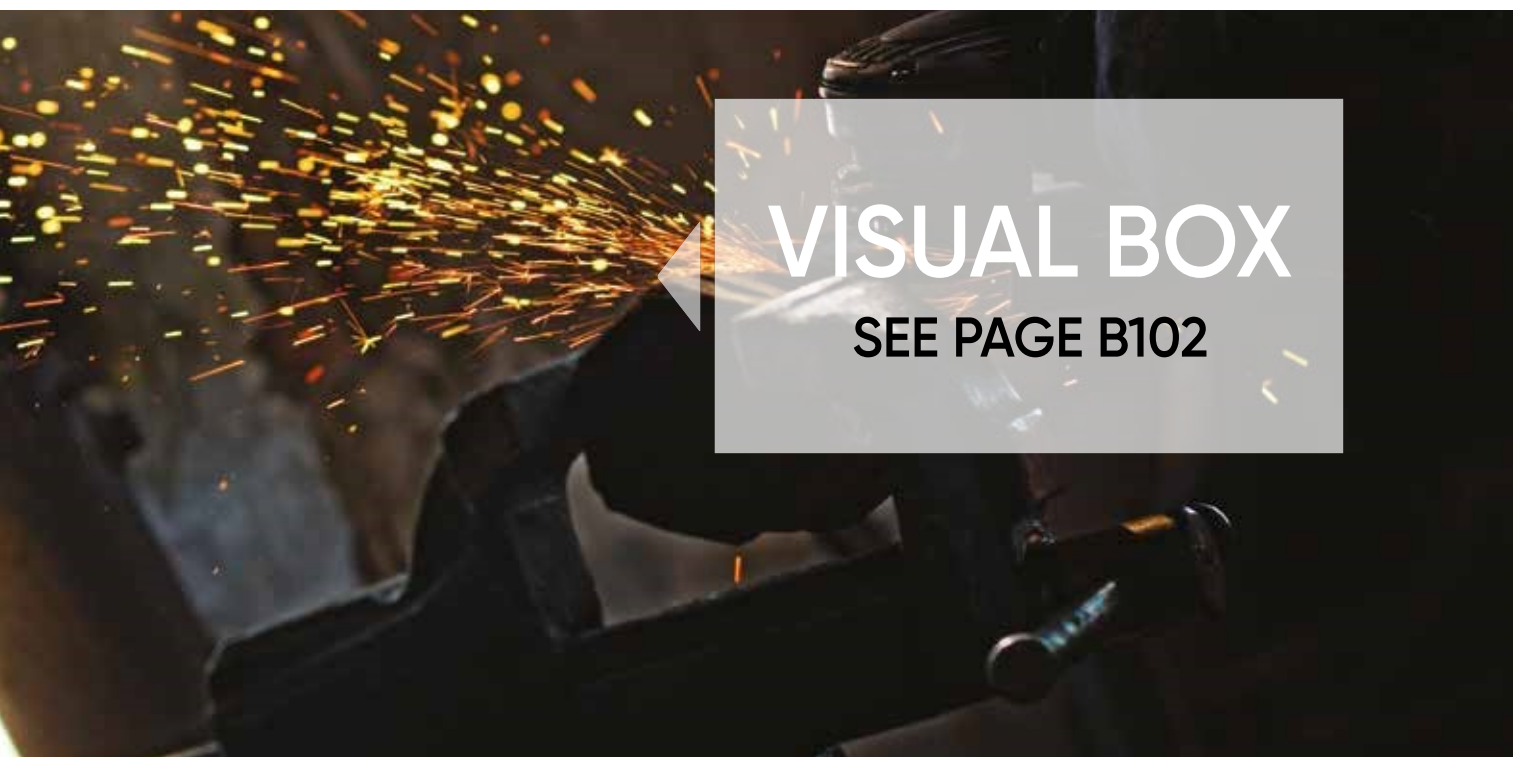
6 shelves depth 220 mm - 4 pairs of partial profiles for VISUAL BOX (Capacity 50 kg)
 4 drawer cabinets **VISUAL BOX** art. FAX VB CH00 60 00 01
 4 drawer cabinets **VISUAL BOX** art. FAX VB CH00 50 00 01
 12 containers **EURO BOX** art. FAX EB 3212 A0 51 01
 Capacity 300 kg (150 kg PER SIDE)

TROLLEY WITHOUT CONTAINERS ART. **F LB B073 03 52**

ART.		Dim. mm	kg
F LB B073 54 52		725x613x1430 H	300

4 pairs of profiles for VISUAL BOX
 4 drawer cabinets **VISUAL BOX** art. FAX VB CH00 90 00 01
 6 drawer cabinets **VISUAL BOX** art. FAX VB CH00 60 00 01
 4 drawer cabinets **VISUAL BOX** art. FAX VB CH00 50 00 01
 2 drawer cabinets **VISUAL BOX** art. FAX VB CH00 40 00 01
 2 drawer cabinets **VISUAL BOX** art. FAX VB CH00 30 00 01
 Capacity 300 kg (150 kg PER SIDE)

TROLLEY WITHOUT CONTAINERS ART. **F LB B073 04 52**

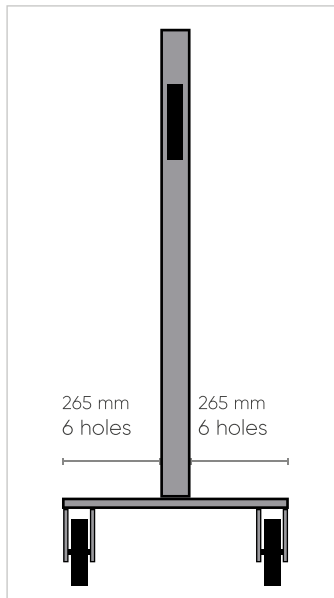


VISUAL BOX
SEE PAGE B102

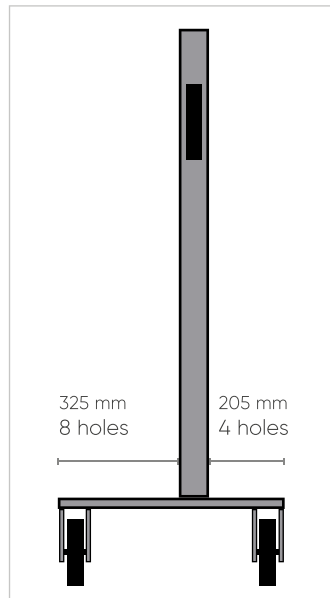
SMART



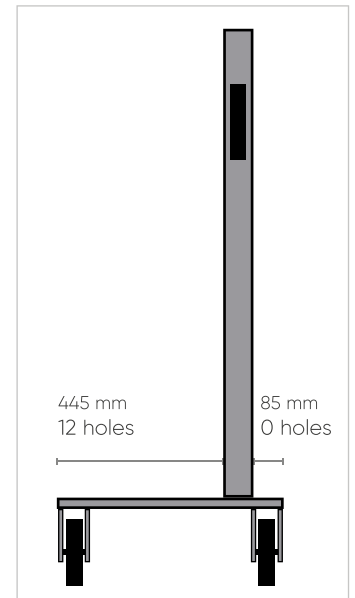
CONFIGURE YOUR TROLLEY



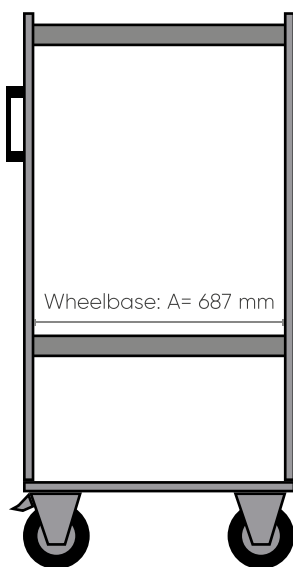
SMART TROLLEYS 102 - 103



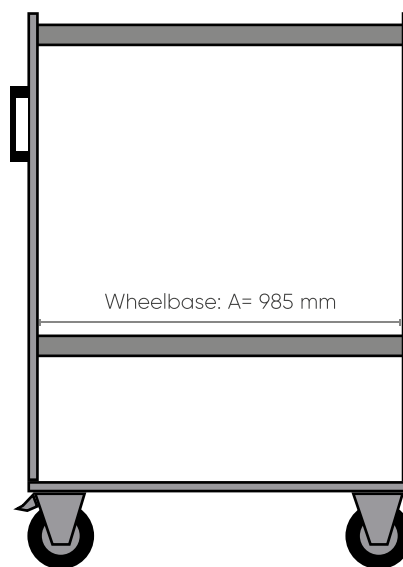
SMART TROLLEYS 102



SMART TROLLEYS 101 - 102



SMART TROLLEYS 073



SMART TROLLEYS 101 - 102 - 103

POSSIBILITY OF USING UPRIGHTS WITH HEIGHT 1772 mm (see page 1219)

THE ACCESSORIES AND THE MATERIALS STORED IN THE TROLLEYS SHOULD NOT PROTRUDE FROM THE BASE OF THE TROLLEY

A= 985 mm D= 1240 mm (32 HOLES)
 B= 1023 mm E= 30 mm
 C= 160 mm

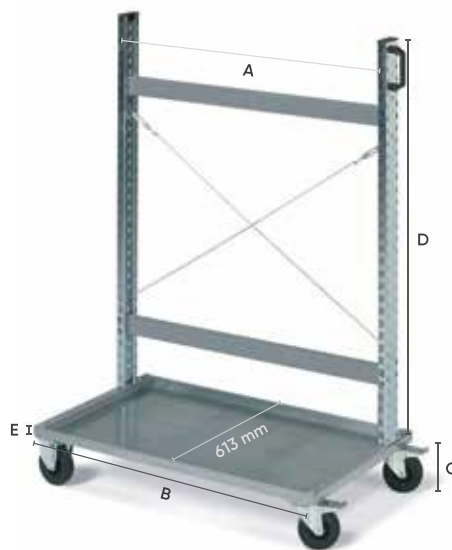
SMART 101

ART.	Dim. mm	kg
F LB B101 01 52	1023x613x1430 H	300

52
 GALVANISED + RAL7000

2 standard rubber swivel wheels with brake Ø 125 mm -
 2 standard rubber fixed wheels Ø 125 mm

TROLLEY WITHOUT WHEELS ART. F LB 0101 01 52 (H 1270 mm)



WHEELS SEE PAGE 1220

SMART 102

ART.	Dim. mm	kg
F LB B102 01 52	1023x613x1430 H	300

52
 GALVANISED + RAL7000

2 standard rubber swivel wheels with brake Ø 125 mm -
 2 standard rubber fixed wheels Ø 125 mm

TROLLEY WITHOUT WHEELS ART. F LB 0102 01 52 (H 1270 mm)



WHEELS SEE PAGE 1220

SMART 103

ART.	Dim. mm	kg
F LB B103 01 52	1023x613x1430 H	300

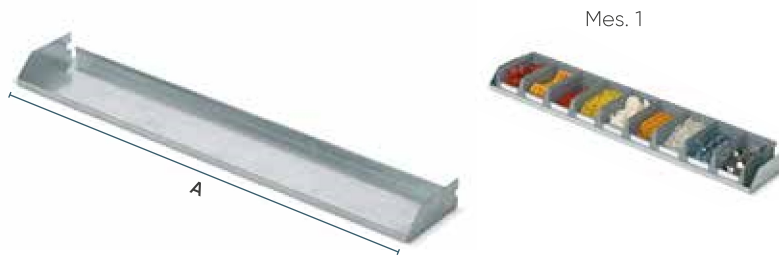
52
 GALVANISED + RAL7000

2 standard rubber swivel wheels with brake Ø 125 mm -
 2 standard rubber fixed wheels Ø 125 mm

TROLLEY WITHOUT WHEELS ART. F LB 0103 01 52 (H 1270 mm)



WHEELS SEE PAGE 1220



SMART 101-102-103

FIXED SHELF LENGTH 974 mm

ART.	Depth mm	Dimensions: mm	kg
F BL 7846 00 99	150 (A = 985)	974x170x61 H	25

Capacity: 9 containers COMPAT **mes. 1**
GALVANISED FINISH



SMART 101-102-103

FIXED SHELF LENGTH 974 mm

ART.	Depth mm	Dimensions: mm	kg
F BL 7847 00 99	205 (A = 985)	974x230x61 H	25

Capacity: 6 containers COMPAT **mes. 2**
GALVANISED FINISH



SMART 101-102-103

FIXED SHELF LENGTH 974 mm

ART.	Depth mm	Dimensions: mm	kg
F BL 7848 00 99	295 (A = 985)	974x315x61 H	25

Capacity: 4 containers COMPAT **mes. 3A2/ mes. 3**
GALVANISED FINISH





SMART 101-102-103

PERFORATED PANEL

ART.	Color	Length mm
F BL 7620 00 _ _	RAL 7000	973 (A= 985)

Presetting for connection to double slotted uprights

	01		04		08		02
RAL 7000		RAL 5012		RAL 7035		RAL 6011	



SMART 101-102-103

TILTING SHELF LENGTH 955 mm

ART.	Color	Length mm	kg
F BL 7750 00 _ _	RAL 7000	220 (A= 985)	50
F BL 7755 00 _ _	RAL 7000	320 (A= 985)	50
F BL 7760 00 _ _	RAL 7000	420 (A= 985)	50
F BL 7762 00 _ _	RAL 7000	600 (A= 985)	50

	99		01		04		08		02
GALVANISED		RAL 7000		RAL 5012		RAL 7035		RAL 6011	



SMART 103

STIFFENING BAR

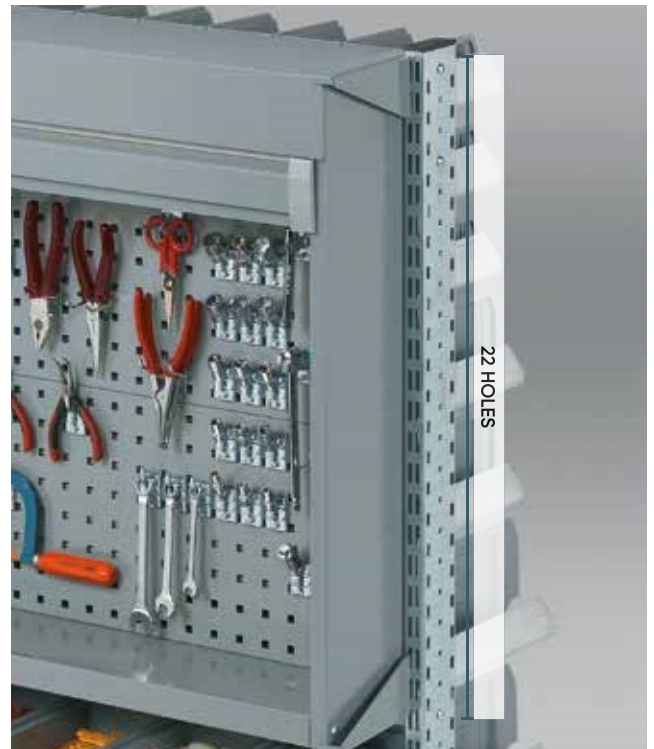
ART.	Dim. mm
F BL 4505 00 01	1011 (A = 985)

The bar can be mounted under the shelf (depth 420 / 600 mm) to increase the load capacity of the shelf from 50 to 100 kg.

	01
RAL 7000	



SMART 103 series trolleys are supplied with 2 stiffening bars



SMART 101-102-103

SHUTTER CABINET

ART.		Depth mm	
F BL 7011 02	01	190	50

TO FIX TO DUAL SLOT UPRIGHTS

Overall dimensions mm 952x210x810 H

Usable dimensions mm 905x150x581 H

 01  04  08  02
 RAL 7000 RAL 5012 RAL 7035 RAL 6011



A= 687 mm
 B= 724 mm
 C= 160 mm
 D= 1240 mm (32 HOLES)
 E= 30 mm

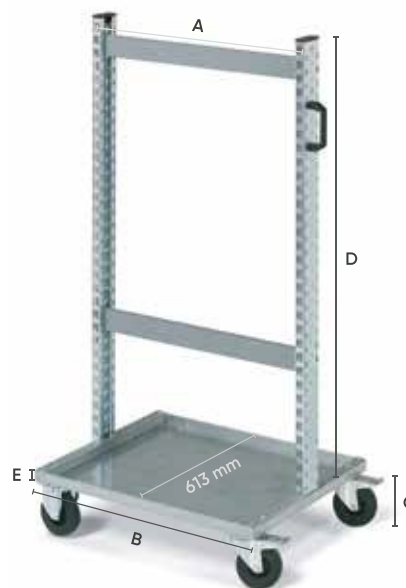
SMART 073

ART.	Dim. mm	kg
F LB B073 01 52	725x613x1430 H	300

52
 GALVANISED + RAL7000

2 standard rubber swivel wheels with brake Ø 125 mm -
 2 standard rubber fixed wheels Ø 125 mm

TROLLEY WITHOUT WHEELS ART. **F LB 0073 01 52** (H 1270 mm)



WHEELS SEE PAGE 1220



STIFFENING BAR

ART.	Dim. mm
F BL 4500 00 01	703 (A = 687)

The bar can be mounted under the shelf (depth 420 / 600 mm) to increase the load capacity of the shelf from 50 to 100 kg.

01
 RAL 7000



SMART 073 series trolleys are supplied with 2 stiffening bars



TILTING SHELF LENGTH 657 mm

ART.	Length mm	kg
F BL 7820 00 __	220 (A= 687)	50
F BL 7830 00 __	420 (A= 687)	50

99 01 04 08 02





PRACTIBOX DRAWER CABINET

ART.	dim. mm	
FP PR 9077 000 00 01	600x69x77 H	

9-drawer chest



PRACTIBOX DRAWER CABINET

ART.	dim. mm	
FP PR 6112 000 00 01	600x98x112 H	

6-drawer chest



PRACTIBOX DRAWER CABINET

ART.	dim. mm	
FP PR 5164 000 00 01	600x141x164 H	

5-drawer chest



PRACTIBOX DRAWER CABINET

ART.	dim. mm	
FP PR 4206 000 00 01	600x174x206 H	

4-drawer chest



PRACTIBOX DRAWER CABINET

ART.	dim. mm	
FP PR 3240 000 00 01	600x209x240 H	

3-drawer chest





PAIR OF PROFILES FOR PRACTIBOX

ART.	Length mm
F BL 4430 00 01	1200 (A= 687)

For one side of the trolley

01
RAL 7000



32 HOLES



PAIR OF PARTIAL PROFILES FOR PRACTIBOX

ART.	H mm
F BL 4425 00 52	280 (A= 687)

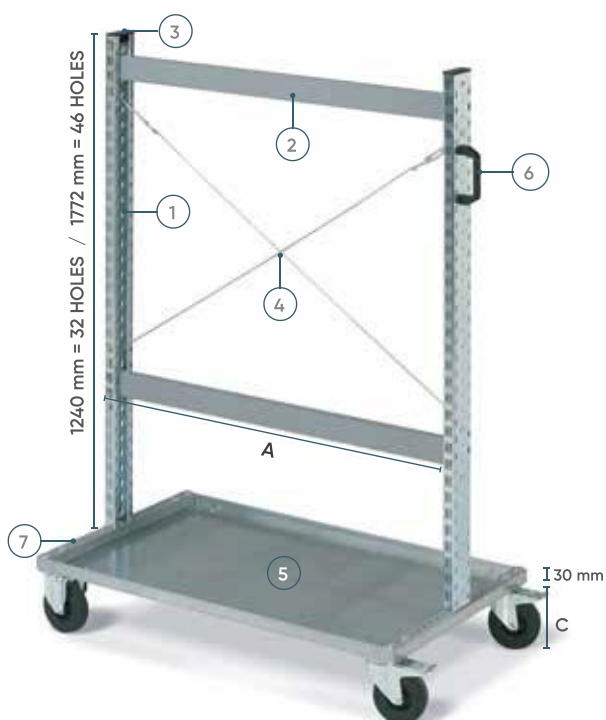
Complete with bottom support for one side of the trolley

52
GALVANISED* RAL 7000

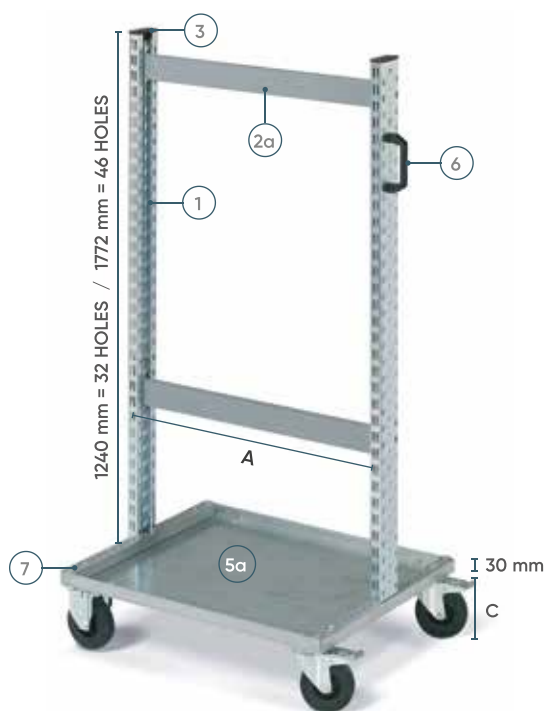


8 HOLES

SMART 101-102-103



SMART 073



1 DUAL SLOT UPRIGHT

ART.	H mm
F BL 7540 01 _ _	1240
F BL 7547 01 _ _	1772



4 CROSS BRACING

ART.	MODULE mm
F BL 4705 00 99	A=985 / H=1240
F BL 4720 00 99	A=985 / H=1772



2 STIFFENING BAR

ART.	H mm
F BL 4505 00 01	1010 (A=985)



5a BASE

ART.	Dimensions mm
F BL 4400 00 99	725x613x30 H (A=687)



2a STIFFENING BAR

ART.	H mm
F BL 4500 00 01	712 (A=687)



6 HANDLE

ART.
F BL 4415 00 07

Black colours

3 PAIR OF CAPS

ART.
F BL 4420 00 07

Black colours

7 BASE BAR

ART.	Dimensions mm
F BL 4410 00 01	604x30x30 H



5 BASE

ART.	Dimensions mm
F BL 4405 00 99	1023x613x30 H (A=985)



STANDARD RUBBER SWIVEL WHEEL WITH BRAKE

ART.	Ø mm	C mm	
C RG DAC12 125	125	160	
C RG DAC13 150	150	185	



STANDARD RUBBER FIXED WHEEL

ART.	Ø mm	C mm	
C RG BAC12 125	125	160	
C RG BAC13 150	150	185	



NON-MARKING RUBBER SWIVEL WHEEL WITH BRAKE

ART.	Ø mm	C mm	
C RG DPH22 125	125	160	



NON-MARKING RUBBER FIXED WHEEL

ART.	Ø mm	C mm	
C RG BPH22 125	125	160	



ELASTIC RUBBER SWIVEL WHEEL WITH BRAKE

ART.	Ø mm	C mm	
C RG DCE15 125	125	160	



ELASTIC RUBBER FIXED WHEEL

ART.	Ø mm	C mm	
C RG BCE15 125	125	160	



POLYURETHANE SWIVEL WHEEL WITH BRAKE

ART.	Ø mm	C mm	
C RN DDD31 125	125	160	



POLYURETHANE FIXED WHEEL

ART.	Ø mm	C mm	
C RN BDD31 125	125	160	



NYLON SWIVEL WHEEL WITH BRAKE

ART.	Ø mm	C mm	
C RN DAD10 100	100	130	
C RN DAD11 125	125	160	



NYLON FIXED WHEEL

ART.	Ø mm	C mm	
C RN BAD10 100	100	130	
C RN BAD11 125	125	160	

